



****FAX BACK TO: 651.454.0454**

ATTN: *Printware Customer Service*

Company:

Install/Training Address:

City; State; Zip:

Primary Contact:

Primary E-MAIL:

Phone Number:

Please provide the following information so we can improve our service to you. The information is strictly confidential, and is important for us to provide fast, professional service our customers have the right to expect.

CONTACT INFORMATION:

| <u>Key Contacts</u> | <u>Name</u> | <u>Phone Number / E-MAIL!</u> |
|---------------------|-------------|-------------------------------|
| - Owner/Mgmt: | _____ | _____ |
| - Production: | _____ | _____ |
| - Purchasing, Etc: | _____ | _____ |

SUPPLIES TO BE USED WITH THE PLATESTREAM:

Manufacturer/brand: _____ **Distributor/dealer:** _____

PLATE MATERIAL TYPE [Poly, Paper, Etc]: _____

Core Size: _____ *Emulsion [In or Out]:* _____

****PLATE WIDTH (INCHES) / THICKNESS (MILS):** _____

Projected plate usage (avg. rolls/month): _____

PRESSROOM INFORMATION:

Types of Presses: _____

Shortest and Longest PLATE Length: _____

What brand of fountain solution do you currently use?: _____

Printware

PlateStream Installation Information

**** FAX BACK TO: 651.454.0454**

ATTN: *Printware Customer Service*

SHIPPING DELIVERY INFORMATION:

Please answer the following questions:

Yes No

- | | | |
|--------------------------|--------------------------|--|
| <input type="checkbox"/> | <input type="checkbox"/> | 1. Does your facility have a loading dock? |
| <input type="checkbox"/> | <input type="checkbox"/> | 2. Will the loading dock accommodate a semi-trailer? |

Please continue if the answer to either question above is [No]:

Yes No

- | | | |
|--------------------------|--------------------------|---|
| <input type="checkbox"/> | <input type="checkbox"/> | 3. Do you have a wide door that accommodates a 48" wide skid? |
| <input type="checkbox"/> | <input type="checkbox"/> | 4. Do you have a pallet-jack or forklift? |
| <input type="checkbox"/> | <input type="checkbox"/> | 5. Do you have people available to manually move the equipment? |

[If questions 3 and/or 4 are answered no, this will require a minimum of 2 individuals capable of heavy lifting.]

Printware

PlateStream Installation Information

**** FAX BACK TO: 651.454.0454**

ATTN: Printware Customer Service

NETWORK MAP:

In the box below, please draw a functional diagram of the network environment for the RIP.

Identify # and type of workstations: Mac OS9 ___; Mac OSX___; Win 98 ___; Win. 2K___; XP___;

Front End Software and Version:

Adobe Acrobat: _____
Adobe InDesign: _____
Adobe Illustrator: _____
Adobe PageMaker: _____
Adobe PhotoShop: _____
Quark: _____

Micro-Media Free Hand: _____
Microsoft Publisher: _____
Microsoft Word: _____
Hence: _____
Other(s): _____

MAP: ROUGH PLACEMENT OF MACHINE AND RIP IN YOUR WORKFLOW.

Printware

Installation and Training Itinerary

****FAX BACK TO: 651.454.0454**

ATTN: *Printware Service*

******REQUESTED INSTALL DATE: ____ / ____ / ____

On the following lines, please supply the names and positions of the personnel that will be involved with the installation and/or training:

Training Participants:

Job Responsibilities:

- 1. _____
- 2. _____
- 3. _____
- 4. _____

- _____
- _____
- _____
- _____

DAILY ITINERARY:

The individuals listed above will need to be made available with no interruptions for a smooth transaction to your new PlateStream CTP equipment.

DAY 1 Will consist of getting the machine and RIP in place and producing plates. Minimal help by 1 person will be needed for set up and network support.

DAY 2 Machine and Rip training. Plates need to be put on press.

DAY 3 *[If needed]* Machine and Rip training. Misc.

Agreed to by: _____ **Date:** _____

Please sign and date the above form on the space provided. At your convenience, fax the form back to the attention of the Field Engineer Manager at Printware LLC: **651.454.0454**.

Printware

PlateStream SC, SCX Installation Requirements

PURPOSE: to define preparation necessary to install a Printware PlateStream SC platesetter.

SUPPLIES:

Have plate media and chemistry readily available. The recommendation is to have at least 16 gallons of working Activator and 16 gallons of working Stabilizer on hand (the initial loading will use about one-third of this amount).

The plate media is polyester based. The roll width may be from 7" to 13.4" (17.8 cm to 34.0 cm) with the PlateStream SC model. The maximum roll length is 280 feet (85 m).

ELECTRICAL REQUIREMENTS:

The Raster Image Processor (RIP) requires a separate 100-120 VAC, 15 A, 50/60 Hz line with a power strip. The RIP can be switched to 200-240 VAC operation. The data cable from the RIP to the platesetter is 9 feet (2.7 m) long, so the RIP must be located on a table or desk near the platesetter to accommodate this length. Customer to supply a category 5 network cable to the rip and all necessary network connections.

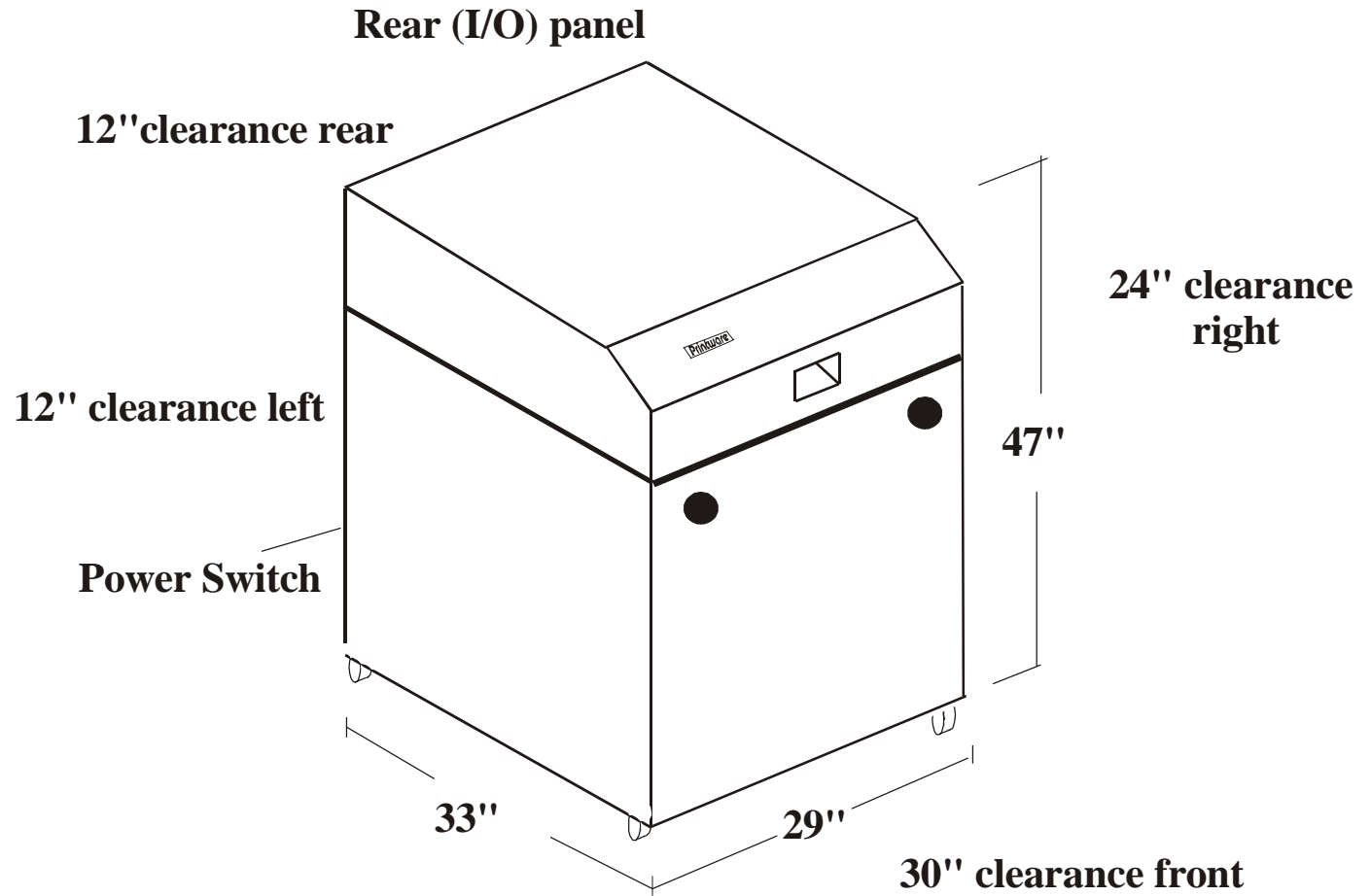
The PlateStream platesetter requires a dedicated 200-240 VAC, 20 A, 50/60 Hz, three-wire single-phase electrical line. If you have the punch option, this requires a separate 100-120 VAC, 10 A, 60 Hz line.

The platesetter is shipped without a power plug, which must be supplied by the customer. The power cord length is approximately 9 feet (2.7 m). The power plug used with the PlateStream platesetter must be rated for 20 ampere, 250 volt, power, and should have the proper safety certification for the country of use. The electrical wiring color codes are as follows:

| | <u>North America</u> | <u>International</u> |
|----------------|----------------------|----------------------|
| <i>Line</i> | Black | Brown |
| <i>Neutral</i> | White | Blue |
| <i>Ground</i> | Green | Green/Yellow |

[SEE NEXT PAGE FOR A LAYOUT OF POWER, AND SPACE REQUIREMENTS]

PLATESTREAM POWER AND SPACE REQUIREMENTS:



A 9-foot (2.7 m) power cord is supplied with the PlateStream. It is attached near the Power Switch. **A 220-240 V male connector is required (to be supplied by the customer).** It will be wired to the power cord to mate with the customer's 220-240 V female outlet.